

Article Info

Received: 18 May 2021 | Revised Submission: 28 Jul 2021 | Accepted: 05 Sept 2021 | Available Online: 15 Sept 2021

Prepaid Energy Metre with Theft Detection System

*Akash Garg**, *Ritik Baliyan***, *Amandeep Baliyan**** and *Anamika Singh*****

ABSTRACT

The living arrangement of power charging in India is mistake Inclined and further more hour and work devouring. It is included different theme belike power robbery. As a piece of measure to make power available to each indian. We have presented the prepaid energy metre with burglary location framework. It is plan and build up a wise energy metreing framework that can productively be monitoring the measure of power devoured by client. The client gets message on their cell phones about the units they bought by means of G.S.M. innovation. Prepaid energy metre is another idea in estimation of power utilization on intermittent premise. In this structure a shrewd energy metre is proposed in every shopper ace and worker is kept up at the expert co-op party. Customers can undoubtedly energize their energy metre by supplicant a PIN count included up in a scrape bookmark to the worker utilizing SMS. In the current work, the creator has planned and built up another computerized energy metre which is associated with the viable microcontroller, a showcase gadget and viable programming to catch, communicate and keep up the record of the power utilization information of a specific client. The PIC miniature regulator recognized how much units the client have bought and the hand-off was exchanged appropriately. At the point when the units bought got equivalent to the units devoured, the transfer played out its capacity by switch off the power framework. The admonition message was shipped off client versatile through G.S.M. innovation before the disengagement of power.

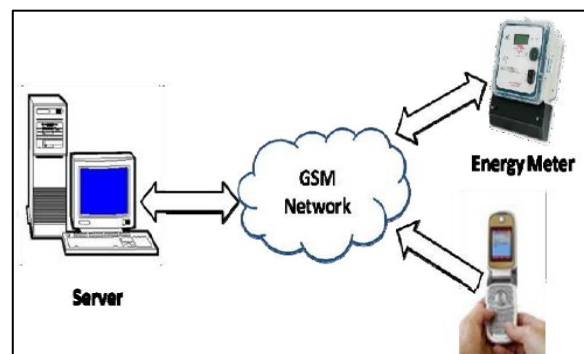
Keywords: Power Metre; Mobile Communications; Network; Micro Controller Relay.

1.0 Introduction

Electricity, since its creation has consistently been one of the crucial prerequisites for any advanced progress and its turn of events. Processing plants factories, Laboratories, Commercial foundations, traffic, correspondence, home lights, TV, PCS and mobile phones are only couple of models on the current circumstance of power realm. Advancement in the field of electrical energy has been focused on its age, transmission, circulation, security and line misfortunes, and so on however in all the ages of electrical influence advances, no huge changes in estimating strategies for power utilization were taken note.

Power burglary has arisen as a difficult issue in force areas particularly in the non-industrial nations. A tremendous measure of income is lost because of power robbery. Now and again government needs to give endowments to the force area to keep a sensible estimated of power.

Fig.1: Liquid-Crystal Display & Relay



Force burglary is a uneasy theme alike in the majority proficient force framework belike in display a dull metre perusing, taking power by passing a metre, charging inconsistencies & unsalaried notation.

*Corresponding author; Department of Electrical Engineering, Meerut Institute of Engineering & Technology, Meerut, Uttar Pradesh, India

** ,*** ,**** Department of Electrical Engineering, Meerut Institute of Engineering & Technology, Meerut, Uttar Pradesh, India

U.S.A. and modestly productive framework belike in MYS. Power burglary incorporates altering metres to

Distinctive nontechnical and specialized techniques were moved in the old recognize power appropriating. Non-technical techniques may incorporate review of client with dubious can considerably diminish robbery, such measure requires enormous labor and gigantic work. Such exertion additionally falls flat by and large because of the untrustworthiness of the staffs. These specialized methodologies can be adequately actualized just if legitimate correspondence is guaranteed between the focal control station and the fitting test focuses.

The conventional technique for power charging framework includes metre perusing to occasionally visit each home to receive reading. The numerous theme identified with the strategy.

Fig.2: Power Metre



2.0 Objective

This framework would give a basic method to recognize an electrical force burglary with no manav interface. It would show accurate field & dissemination track on Which unapproved tapping is made continuously. It would be efficient if appropriation organization work force take perusing by this remote strategy. It would give a computerized record in the event of any legal debate. To amplify the net revenue of force service organization.

2.1. Proposed prepaid metreing system

The Introduced method the facility availability keeps a specialist and every customer is

given an power metre. The specialist and prepaid metres utilization G.S.M. modulus and G.S.M. modulus separately to speak with one another using the G.S.M. association. If open fame is tired, by the force transfer is stop by an exchange. Scrutinizing done by manav heads structure will initially enlist the customer. for creating restore the customer should need to log in to the structures. The user name and mystery key need to enter to log in then it'll cheque for the customer is affirmed or no care of specialist. It can prepared to resuscitate care of customer android's application just if the customer is endorsed customer. Since invigorate deters it'll tub force.

3.0 Theft Detection Method

The basic recipe behind robbery discovery is at whatever point input power is passing from provider to the recipient, around then on the off chance that the aggregate sum of force isn't gotten by the beneficiary, the plausibility of burglary of power.

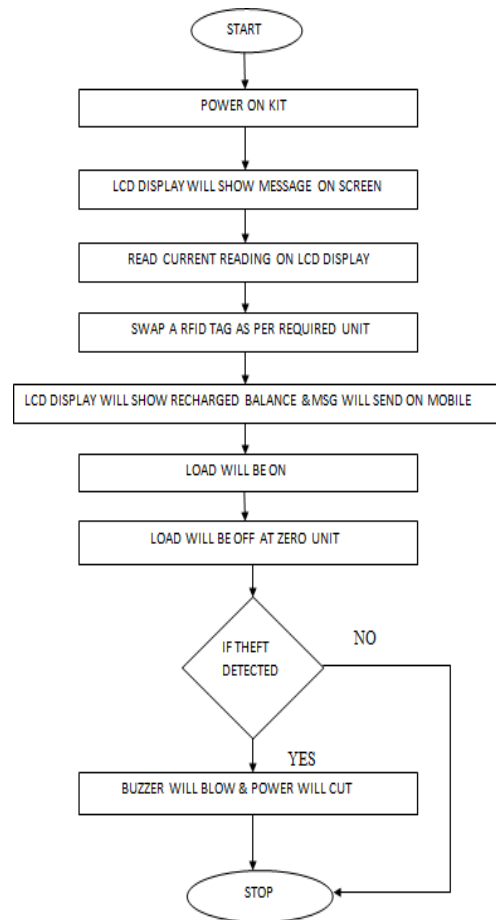
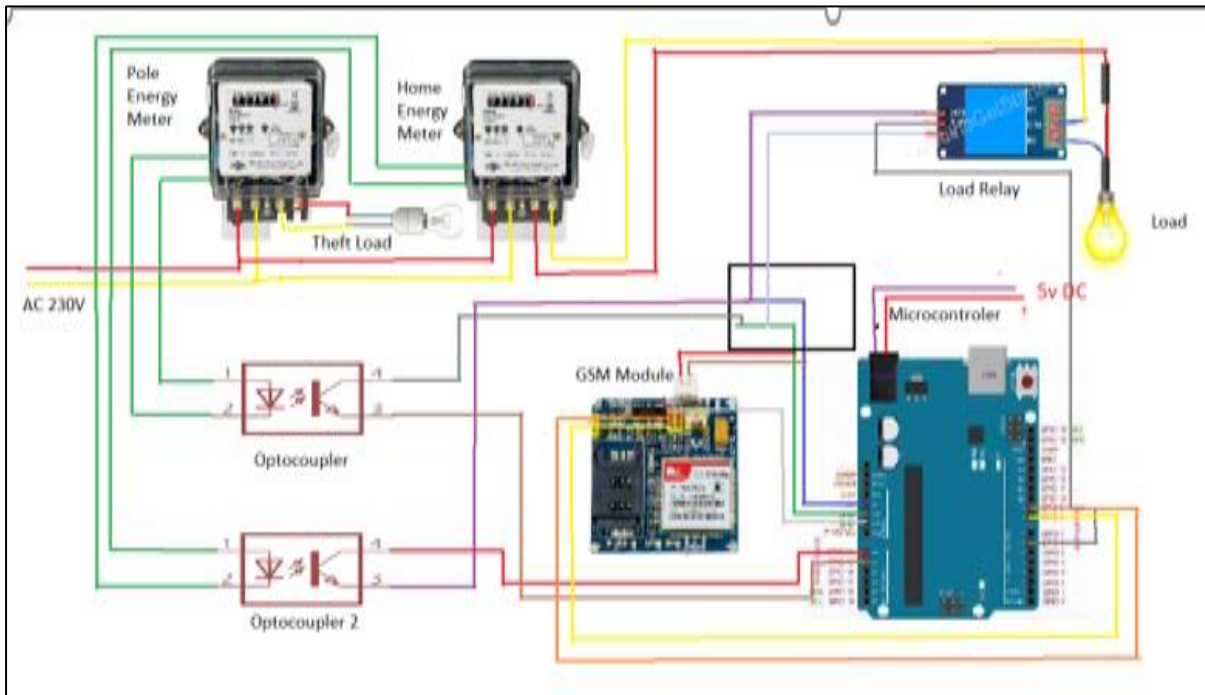


Fig.3: Circuit Diagram



$$\Sigma P_{send} = \Sigma P_{used} + \text{Harm No burglary}$$

$$\Sigma P_{send} \neq \Sigma P_{used} + \text{Harm burglary chance}$$

This way, P_{send} = energy estimated by shaft side energy metre
 P_{used} = Power estimated by load side energy metre.

3.1 Factors that influence illegal consumers

The numerous elements urge individuals to take power. OF which financial components impacts individuals by and large in taking power. A typical idea in numerous individuals that, it is unscrupulous to take anything from the vicinal however no from the kingdom and demos claimed service organization. Likewise, different variables that impact unlawful purchasers are:

- Higher energy costs deject buyers from purchasing power. Table II outlines energy costs in various nations. Considering this, rich and profoundly taught networks likewise take power to escape from tremendous service bills.
- Growing joblessness rate show extreme impact on the client's financial circumstance. Lower lack of education rate in immature networks greater affects illicit buyers, as they probably won't know about the issues, laws and offenses identified with the robbery.
- Weak monetary circumstance in numerous nations has suggested its impact straightforwardly on average person.

- In perspective on financial states of the client, power robbery is corresponding to the tax of power usage.

4.0 Identification of Theft

4.1 Financial rewards

Administration associations ask clients to legwork power burglary, once in a while offering tremendous honors for information inciting notion of anyone taking force. Grievously, major part are nevermore recognized in the space business on account of nonappearance of perfect information.

4.2 Periodic checks

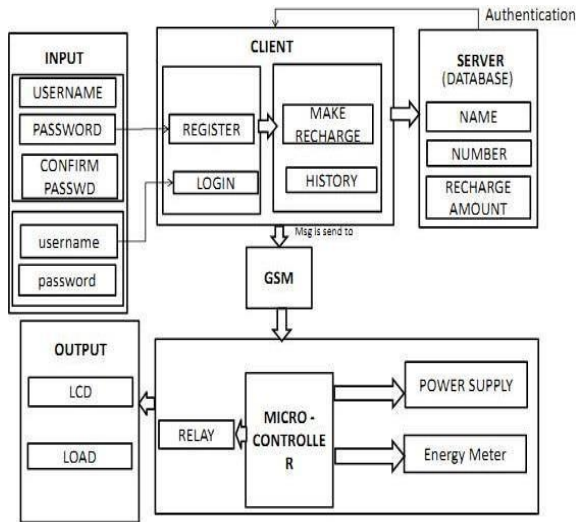
Force burglary from time to time occurs since help have been isolated. few assistance associations periodically cheque separated metres if the customer has not contacted to the reattach organization. This thing concentrated, roadbook cycle has insignificant chance of achievement given that the space trade mid-points 70% gross sales of inhabitants yearly.

4.3 Metre readers

Subservience metre perusers usually assume the power robbery is happening as they track down a destroyed metre tag or various signs of adjusting. however, as more noteworthy assistance associations

reexamine the metre examining ability to untouchables, planning meter perusers to recognize thievery is getting much problematic and lower useful. also, outcast metre perusers do not examine isolated metres.

Fig.4: Block Diagram of System



4.4 Applications

- Houses
- factory
- Industries

- Shops

4.5 Advantages

- Cost of labor for charging/assortment is decreased.
- Sophisticated security
- Better client care

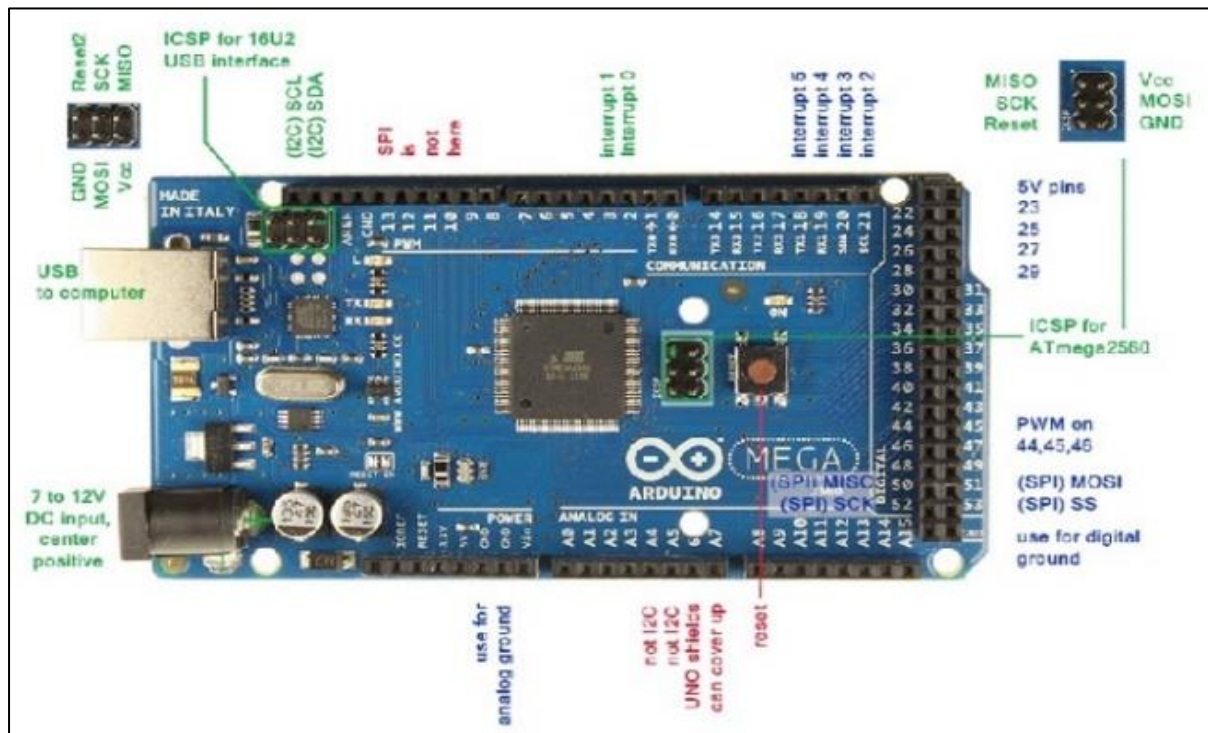
4.6 AT-command set

Table1: AT-Command Set

Command	Description
AT	Check if serial interface and GSM modem is working.
ATE0	Turn echo off, less traffic on serial line.
AT+CNMI	Display of new incoming SMS.
AT+CPMS	Selection of SMS memory.
AT+CMGF	SMS string format, how they are compressed.
AT+CMGR	Read new message from a given memory location.
AT+CMGS	Send message to a given recipient.
AT+CMGD	Delete message.

It accompanying area portrays the AT-ruling team. It orders can be given a shot by linking a G.S.M. modem to single of the PC's COM docks. Font in the examination-ruling, attaching C.R. + L.F. (Cart recoil + track lure = \r\n) prior to effecting.

Fig 5: Arduino (ATmega2560)



Recipe grants a guidance of the executed AT-ruling in this Petition. The utilization of the ruling is portrayed in the farther areas.

4.7 Main Components

4.7.1 Arduino (ATmega2560)

The microcontroller board like Arduino Mega relies upon ATmega2560 micro command. It inclusive computerized I/P/yield pins-54, where 16 pins are easy origin of info, 14 are make use of fancy P.W.M. increase appliance successional docks (UARTs) – 4, a gem oscillatar-16 MHz, an I.C.S.P. inlet, a strength jack lift, a U.S.B. consistency, solely as a R.S.T. switch. The facia for the most part incorporates all that which a fundamental for upholding the micro command. Along these lines, the force provide of this facial should be possible by interfacing it to a P.C. utilizing a U.S.B. link, or battery or an A.C.-D.C. connector. This facia can be shielded of the sudden electricity release by setting a footing dice.

Arduino Mega Specifications are as-

The determinations of Arduino ATmega 2560 incorporate the accompanying.

- The ATmega2560 is a Microcommand.
- It working strain of this microcommand is 5 volt.
- The suggested I/P strain will go of 7 volt to 12 volt.
- The I/P strain will go of 6 volt to 20 volt.
- It advanced information/yield drawing pin are 54 where 15 of these drawing pin will provide P.W.M. o/p.
- Analog I/P drawing Pin are 16.
- D.C. Current for each information/yield drawing pin is 40MA.
- D.C. Current make of use for 3.3v drawing Pin is 50MA.
- Shine retention as 256KB where 8KB of glimmer retention a make use of with the assistance of bootloader.
- The still irregular entree retention (S.R.A.M.) is 8KB.
- The Lightning removable programmeble decipher- just retention(EEPROM) is 4KB.
- It watch (CLK) motion is 16 MHz.
- It U.S.B. have chunk make use of in the MAX3421E.
- It duration of the facia is 101.52mm.
- It expansion of this facia is 53.3mm.
- It expansion of this facia is 36g.

4.7.2 GSM Module (900A)

GSM900A Modam is worked with Double orchestra G.S.M. footing G.S.M.900A modam from SIMCOM. It chips away at frequency 900MHz. G.S.M.900A can look through the 2 groups consequently. It recurrence groups can likewise be team by AT ruling. The baud value is configurable of 1200-115200 via at order. G.S.M.900A is a Dire smaller & remote modulus. The Modam is arriving inter face, which permits your associate P.C. just as microcommand with RS232 Chunk(MAX232).

The reasonable for S.M.S., Vox just as datum move avail in M2M inter face. The installed justed energy provide permits you to interface broad reach unjusted force provide. Utilizing this modam, you can settle on sound decisions, S.M.S., study S.M.S., go to the approaching invokes and etc. Via straightforward At orders. It is a finished G.S.M. modulus in a S.M.T. font and built up with an extremely amazing singular-crum, permitting your profit with little measurements. G.S.M900A G.S.M. Modam with sequential and T.T.L. yields.

Its silent features are-

- Mule-orchestra G.S.M./850/900/1800/1900MHz
- Consistent by Arduino, rasp berry pi.
- energy provide 12V, one amp to two amps' max.
- experiment in the space of whole sign vigor.
- vikalp for interfacing MIC. and orator.
- outright to G.S.M. MODAM for invoke (Track IN too accessible).
- justification correspondence via R.S.232 with D.B.9 attached, T.T.L. drawing Pin and I2C drawing Pin.

Fig. 6:GSM Module (900A)



5.0 Conclusions

At this researchpaper, ourselves introduced a prepiad energy metre which receive points of

interest of the G.S.M. network that has for all intents and purposes admittance to each house hold and territory across various nations. The G.S.M. correspondence not simply executes the chance of prepaid use of force however, what's more urges the subservience to monitoring energy burglary usage ours sharp energy metre. As the framework, the data of power robbery is straightforwardly answered to the focal position. Along these lines, utilities can make a prompt lawful move against the denounced customer and subsequently control power robbery by and large. The proposed meter is accordingly profoundly valuable for power utilities for lessening power stealing and guaranteeing income assortment.

References

- [1] MA Mazidi, J Gillespe. 8051 Microcontroller and Embedder System, input & output Programming, Printice Hall.
- [2] KJ Ayala. The 8051 Microcontroller: Architecture, Programming, and Applications, 8051 Architecture, Penram International Publications, 1997.
- [3] CS Rangan, GR Sharma, VSV Mani. Apparatus gadget and System, apparatus Amplifiers and Signal Conditioning, Tata-McGraw-Hill Ltd.
- [4] BS Koay, SS Cheah, YH Sng, PHJ Chong, P Shum, YC Tong, XY Wang, YX Zuo, HW Kuek. Design and execution of energy Metre; ICICS-PCM, 12, 2003, 5-18.
- [5] K Jubi, M John. Prepaid Energy Meter with GSM Technology, AIJRSTEM, SIM300 Hardware Interface Specification, SIM300_HD_V2.02, 5, 2006, 195.
- [6] S Boyina, B Rao. Gnanasekaranathan, M. Raguram, S. Previn kumar, P. Kamlesh, Domestic Prepaid Energy Distribution System for saving of power, 2012, 26-29.